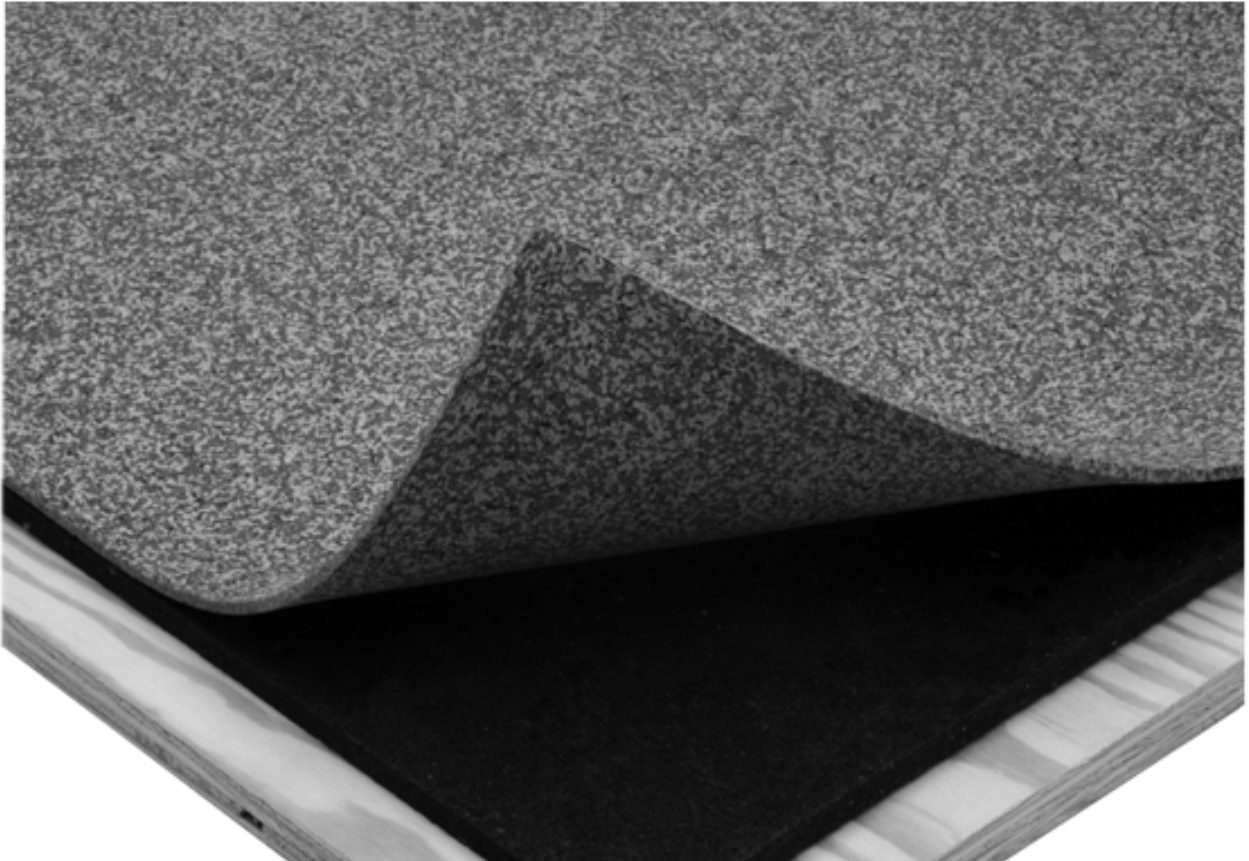


ecore™

Commercial



## **LVT and Plank over 2mm & 5mm ECOsilence**

# **SPECIAL PROCEDURES INSTALLATION & WARRANTY**

Manufactured in the U.S.A. by:

**ecore™**

Revised 01/16/19  
Supersedes all previous versions  
Check website for updates

**ECOsurfaces Special Procedures Installation Manual**



**TABLE OF CONTENTS**

**INSTALLATION**

Job Site Conditions 3  
 Substrate Preparation 3-4  
 Perimeter Isolation Strip 4  
 Installation of ECOSILENCE Sound Mat 5  
 Adhesive & Trowel Recommendations 5  
 Adhesive and LVT Installation 5-6  
 Adhesive Specifications LVT over ECOSilence 7  
 Adhesive Specifications LVT over Substrate 8  
 Adhesive Data 9

**WARRANTY**

Warranty 10

<b>2mm and 5mm ECOSilence Adhesive Coverage Rate Calculator</b>				
<b>Sound Mat</b>	<b>Trowel Size</b>		<b>Coverage Rate Over Standard Substrates</b>	<b>Coverage Rate Over Sound Mats</b>
<b>2mm Sound Mat</b>	 1/32" x 1/16" x 1/32" (1 x 1.5 x 1 mm)	Use to secure 2mm rubber sound mat to substrate and LVT/LVP to 2mm rubber sound mat	150 to 200 sq. ft./gal	150 sq. ft./gal
<b>5mm Sound Mat</b>	 1/16" x 1/16" x 1/16" (1.5 x 1.5 x 1.5 mm)	Use to secure 5mm rubber sound mat to substrate and LVT/LVP to 5mm rubber sound mat	100 to 125 sq. ft./gal	100 sq. ft./gal

Coverage rates shown here are for estimating purposes only. Actual jobsite coverage may vary according by application method, substrate, substrate conditions, trowel angle, and actual thickness applied.

**SUBSTRATE PREPARATION**

**IMPORTANT: Areas to receive flooring must be weather tight and maintained at a minimum uniform temperature of 65° F (18° C) for 48 hours prior to, during, and after installation. Failure to comply could result in flooring failure.**

**Step 1: Concrete** substrate shall be prepared according to ASTM F710 standards. This standard calls for complete removal of all extraneous materials that may affect the adhesive bond. These materials include, but are not limited to, dust, paint, wax, solvents, adhesive residue, curing & hardening compounds, and sealers. If any of these are present, they must be removed prior to installation of flooring materials. Keep in mind that they should be removed mechanically without the use of chemicals, which could also act as a bond breaker for the adhesive.

The concrete should be given a sufficient amount of time to dry, naturally, before the application of adhesives. The moisture content should always be tested using an approved ASTM standardized test method. Approved methods are the ASTM F-1869 Calcium Chloride test or the ASTM F-2170 testing for relative humidity. Calcium chloride results must not exceed 5 pounds and relative humidity should result in a level of 80% or lower with diminishing results. If levels exceed these parameters, than an Ecore approved vapor retardant must be utilized.

**NOTE: When using approved Mapei patching materials, Mapei's Primer T must be used over the surface of the patch before applying adhesive in Step 2 below. Failure to use primer may result in cohesive failure of the patching materials. Primer dilution shall be 2 parts water: 1 part primer.**

**Step 1: Gypsum** substrates shall be prepared according to the ASTM F 2419 standards. This standard covers the practice of installation and preparation of the thick poured gypsum concrete underlayments over wood structural panel subfloors in commercial structures, or over concrete floors in commercial structures and preparation of the surface prior to the installation of resilient flooring.

**NOTE: Per the ASTM C472 standard, the gypsum substrate shall have a compressive strength of 3000 psi or greater, and a density of 105 pcf.**

Before installation of resilient flooring, gypsum must be primed with Mapei's Primer T at a dilution rate of 2 parts water: 1 part primer.

It is crucial that primer is allowed to penetrate deep into the pores of the gypsum. It may be necessary to apply multiple coats.

**ECOsurfaces Special Procedures Installation Manual**

**INSTALLATION**

Drying time of gypsum shall be determined using the ASTM F2419 standards, which reference the ASTM C472 and ASTM D4263 standards for moisture content.

It is important for the gypsum substrate to be free of imperfections and that it be level to the equivalent of 3/16" in 10'. If substrate is damaged, it must be flash patched before installation of the resilient floor covering.

Flash patching can be completed using one of Mapei's approved patches or self leveling materials. Please contact Mapei Technical Support for current offerings and installation recommendations of approved products: 1-800-992-6273.

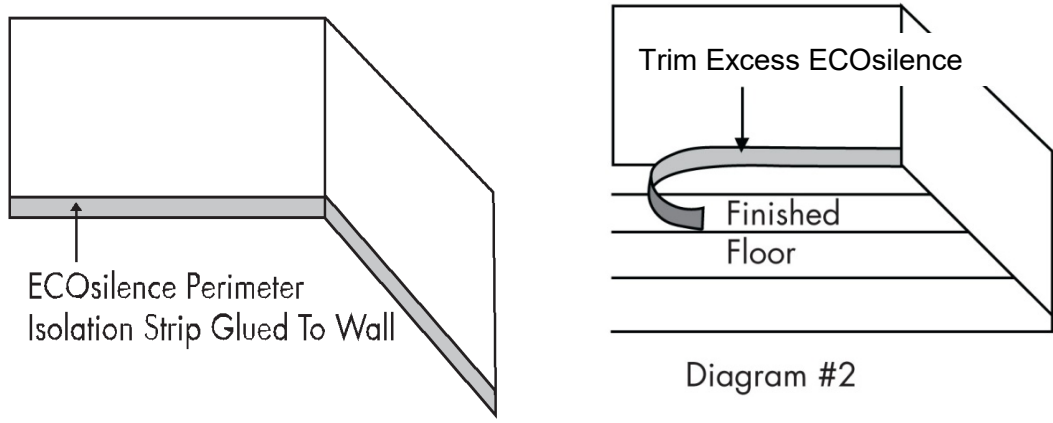
**Step 1: Wood** subfloors should be double construction, rigid, and free from movement.

Wood subfloors (when installed with grouted floor coverings like tile) must be prepared according to ANSI L/360 standards, as required by the floor covering manufacturer.

**NOTE:** Particleboard, often called "chipboard," masonite, and luan are not suitable underlayments.

**Step 2: Day 1:** It is essential to install the ECOSilence Perimeter Isolation Strip before placing and trimming ECOSilence impact sound insulation material!

Attach the ECOSilence Perimeter Isolation Strip to the perimeter wall of the entire subfloor, as well as around the perimeter of any protrusions, in order to isolate or break the vibration transmission path between the floor and the wall (see diagram #1).



Temporarily fasten the ECOSilence Perimeter Isolation Strip in place with masking tape, duct tape, carpet tape or spot gluing. The Perimeter Isolation layer Strip will later be trimmed flush with the new top layer of flooring above ECOSilence layer. (Diagram #2)

**ECOsurfaces Special Procedures Installation Manual**

**INSTALLATION**

Assume the walls you are butting up against are not square. Using a chalk line, create a starting point for an edge of the material to follow.

If you have not already done so, remove the shrink-wrap from the roll of ECOsilence and unroll it onto the floor. Shaking the material once it is unrolled can help it to relax.

Place the ECOsilence material so that it is perpendicular to the subsequent installation direction of the topping material (see diagram #3).

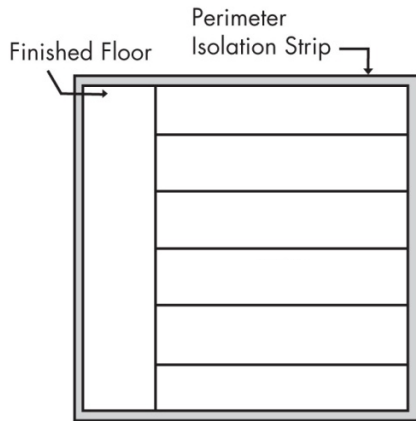


Diagram #3

ECOsilence sound mat shall be adhered to the substrate using the approved trowel.

**2MM sound mat - 1/32" x 1/16" x 1/32" trowel** using the required Gerbert 2525.

**5MM sound mat – 1/16" square notch trowel** using the required Gerbert 2525.

After laying sound mat into adhesive bed, it shall be rolled with a three section flooring roller. For **2MM** ECOsilence use a 35 lb. roller. For **5mm** ECOsilence use a 75-100 lb. roller. Allow adhesive to cure for 24 hours before proceeding with **Step 3**.

**Step 3: Day 2:** Apply LVT over ECOsilence sound mat using the approved trowel size listed below.

- **2MM sound mat - 1/32" x 1/16" x 1/32" trowel** using the required Gerbert 2525 adhesive. Coverage rate with 1/32" trowel to be approximately 150 sq. ft. /gal.
- **5MM sound mat – 1/16" square notch trowel** using the required Gerbert 2525 adhesive. Coverage rate with 1/16" trowel to be approximately 100 sq. ft. /gal.

**Very Important** to follow adhesive application instructions to ensure a successful installation. Ecore cannot be held liable for improper installation techniques.

**ECOsurfaces Special Procedures Installation Manual****INSTALLATION**

Areas to receive flooring must be weather tight and maintained at a minimum uniform temperature of 65° F (18° C) for 48 hours prior to, during, and after installation. Failure to comply could result in flooring failure.

**(Step 3: Day 2 Continued – Application of adhesive and Installing Tile and Plank)**

**NOTE:** Adhesive coverages listed above are for estimating purposes only. Actual jobsite coverage may vary.

1. Apply adhesive to surface of ECOsilence sound mat using appropriate trowel listed below. Trowel size will vary dependent upon the thickness of the sound mat.
  - **2MM sound mat** – Apply LVT using a **1/32” x 1/16” x 1/32” trowel** using the required E-Grip Evolve adhesive. Coverage rate with 1/32” trowel to be approximately 150 sq ft/gal.
  - **5MM sound mat** – Apply LVT using a **1/16” square notch trowel** using the required E-Grip Evolve adhesive. Coverage rate with 1/16” trowel to be approximately 100 sq ft/gal.
2. Work only in small sections, where it’s possible to install LVT planks into adhesive bed within the specified **\*working time**.
3. Allow adhesive to **\*\*flash** until adhesive valley is clear and adhesive ridge is gummy to the touch, approximately 30-45 minutes over 2mm ECOsilence, and approximately 90-120 minutes over 5mm ECOsilence. (See page 7)
4. Carefully lay planks into the adhesive bed. Work off of the planks to eliminate excess movement before adhesive cures.
5. After completing each section within arm’s reach, roll the planks with the specified 100 lb. three section flooring roller.
6. Prohibit foot traffic for a minimum of 48 hours after installation and light rolling loads for a minimum of 72 hours.
7. Wait a minimum of 72 hours before returning furniture to the surface.
8. **IMPORTANT** – Chair mats are required under caster wheels/rolling chairs. This system is not intended for use under constant heavy rolling loads. Ecore cannot be held liable for failure to protect flooring surface.

**\*Working Time** – The maximum amount of time that an adhesive can remain exposed to the air and still effectively bond to the floor covering.

**\*\*Flash Time** – The amount of time recommended for the adhesive to remain exposed to the air following application and before installation of the floor covering.

ECOsides Special Procedures Installation Manual

**ADHESIVE INSTALLATION OVER ECOSILENCE SOUND MATS**

**E-Grip Evolve**

**Premium High Performance Adhesive for ECOSilence Sound Underlayment, LVT Tile, and Plank**

**DESCRIPTION**  
 E-Grip Evolve is a high performance, wet-set adhesive designed for use with Ecore's ECOSilence sound underlayment membranes, LVT and Plank.

**Application Characteristics over Porous Substrates**

	Flash Time	Working Time
Permanent bonding (Rubber)	0 minutes	Approximately 30 minutes

**Application Characteristics over Nonporous Substrates**

	Flash Time *	Working Time **
Permanent bonding (Rubber)	0 minutes	Approximately 30-45 minutes

**Application Characteristics over Sound Mat**

	Flash Time *	Working Time **
Permanent bonding (LVT/LVP) over <b>5mm</b> sound mat using a 1/16" square notch trowel	90-120 minutes or until adhesive valley is clear and adhesive ridges are gummy to the touch	Approximately 30-45 minutes over sound mat
Permanent bonding (LVT/LVP) over <b>2mm</b> sound mat using a 1/32"x1/16"x1/32" trowel	30-45 minutes or until adhesive valley is clear and adhesive ridges are gummy to the touch	Approximately 15-30 minutes over sound mat

**\* Flash Time:** The amount of time recommended for the adhesive to remain exposed to the air following application and before installation of the floor covering.

**\*\*Working Time:** The maximum amount of time that an adhesive can remain exposed to the air and still effectively bond to the floor covering.

**Note:** Flash and working times may vary based on temperature, humidity, substrate porosity, trowel size and jobsite conditions.

**ADHESIVE INSTALLATION OVER STANDARD SUBSTRATES**

**E-Grip Evolve**

**Premium High Performance Adhesive for ECOsilence Sound Underlayment, LVT Tile, and Plank**

**DESCRIPTION**  
 E-Grip Evolve is suitable for installation of LVT tile and plank over other approved substrates. **For installation involving ECOsilence sound mats in conjunction with LVT/LVP, please refer to previous page instructions.**

<b>Application Characteristics over Porous Substrates</b>		
	<b>Flash Time</b>	<b>Working Time</b>
Permanent bonding (LVT)	15-30 minutes or until adhesive valley is clear and adhesive ridges are wet to the touch	Approx. 15-30 minutes

<b>Application Characteristics over Nonporous Substrates</b>		
	<b>Flash Time *</b>	<b>Working Time **</b>
Permanent bonding (LVT)	30-45 minutes or until adhesive valley is clear and adhesive ridges are wet to the touch	Approx. 30-45 minutes

**\* Flash Time:** The amount of time recommended for the adhesive to remain exposed to the air following application and before installation of the floor covering.

**\*\*Working Time:** The maximum amount of time that an adhesive can remain exposed to the air and still effectively bond to the floor covering.



**Note:** Flash and working times may vary based on temperature, humidity, substrate porosity, trowel size and jobsite conditions.



**ECOsurfaces Special Procedures Installation Manual**

**ADHESIVE DATA**

<b>Limitations</b>
Do not install over substrates containing asbestos
For interior installations only
Do not apply over existing adhesive residue
Use only when substrate temperature is between 65°F and 90°F (16°C and 32°C)
Follow flooring manufacturer's instructions for installation and substrate preparation

Luxury Vinyl Tile, Luxury Vinyl Plank, and 5mm ECOSILENCE Rubber Underlayment	1/16" x 1/16" x 1/16" (1.5 x 1.5 x 1.5 mm)  (as specified by manufacturer)	100 to 125 sq. ft./U.S. gal (2.45 to 3.06 m <sup>2</sup> per L)
Luxury Vinyl Tile, Luxury Vinyl Plank, and 2mm ECOSILENCE Rubber Underlayment	1/32" x 1/16" x 1/32" (1 x 1.5 x 1 mm)  (as specified by manufacturer)	150 to 200 sq. ft./U.S. gal (3.68 to 4.9 m <sup>2</sup> per L)
Coverage rates shown here are for estimating purposes only. Actual jobsite coverage may vary according by application method, substrate, substrate conditions, trowel angle, and actual thickness applied.		

<b>PHYSICAL DATA</b>	
Adhesive Type	Vinyl Acrylic Polymer
Antimicrobial	Yes
Color	Off-white
Consistency	Creamy
Density	8.3 lbs/gal (3.77 kg per 3.79 L)
VOC Content	.28 lbs/gal (34 g/l)
Shelf Life	2 years when stored at 73° F (23°C)
Flash point	>212°F (100°C)
pH	7 to 9
Maximum RH (ASTM F-2170)	80% RH diminishing
Freeze/Thaw	<b>Protect from freezing</b> Freeze/Thaw stable up to 5 cycles at 0°F (-18°C)

**ECOsurfaces Special Procedures Installation Manual****WARRANTY****Limited Lifetime Warranty**

The ECOsilence line of products can be installed under most types of grouted, glued, and floating floors including ceramic tile, stone, marble, brick, pavers, hardwood, engineered wood, laminate, parquet, sheet vinyl, LVT and carpet. All floor covering assemblies shall have prior approval before installation.

The recommendations for applications and installation are based on our extensive experience and on current technological practice. Our liability and responsibility in the event of damages is limited to the extent defined in our General Terms and Conditions of Business and is not in any way increased by the above recommendations or by advice given by our sales representatives or applications engineering staff. Ecore Commercial is a corporation duly organized and validly existing under the laws of the Commonwealth of Pennsylvania.

Ecore Commercial offers a limited lifetime warranty on the ECOsilence brand of Impact Sound Insulation products against defects in material and workmanship and they shall meet all published specifications and shall perform effectively. Ecore Commercial warrants that during the warranty period ECOsilence shall not harden, become brittle, chip, crack, tear, or exhibit any signs of excessive deterioration except for normal wear and tear. For means of identification, Lifetime means for so long as the job installation remains unchanged by the original owner.

**NOTE: All floor covering assemblies shall have prior approval before installation.**

**Limited System Warranty**

Ecore Commercial, subject to the terms and conditions set forth below, warrants that its products or system will be free from manufacturing defects and will not fail under normal usage for a period of 5 years when used with our recommended system adhesive and used within its shelf life in accordance with our published technical data sheets and other written instructions. All applicable building codes, regulations and industry standards must be strictly followed. For purposes of this limited warranty, a system is defined as a group of three or more Ecore Commercial products used together in the same assembly and installed in accordance with our published installation instructions. System warranty must be fully registered and approved by Ecore Commercial prior to installation of the flooring materials.

Expona LVT for use over select ECOsilence sound mats is intended for residential and light commercial use. For means of identification, Residential is defined as a single family detached dwelling and Light Commercial is defined as multi-family residential projects such as condominiums, apartments, timeshares, and other such dwellings that are not subjected to industrial traffic or heavy rolling loads. It is the sole responsibility of the installer, general contractor, architect or specifier, as a condition of warranty coverage, to first determine suitability and compatibility of our system for the end users intended use.

All other warranties, including implied warranties for a particular purpose, are expressly excluded. The sole remedy against the seller will be the replacement or repair of the defective goods, or at seller's option, credit may be issued not exceeding the selling price of the defective good.

---

**ECOsurfaces Special Procedures Installation Manual****Exclusions from Warranty Coverage**

The following are specifically excluded from coverage under this warranty:

1. Structural failure, inadequate subflooring or improper subfloor preparation.
2. Damages caused by Acts of God, including, but not limited to hurricane, flooding, earthquakes, or other types of natural disaster, or as a result of unforeseen circumstances.
3. Acts of negligence or product misuse and abuse.
4. Failure to comply with our technical data sheets and other written instructions, applicable building codes and regulations, and standard industry practices.
5. Normal wear and tear resulting from usage.
6. Cracking of substrate due to structural movement and or telegraphing of cracks to the top surface of the flooring materials.
7. Damage caused by excess deflection or other failure of the substrate.
8. Wear from chairs or other furniture without proper floor protectors will void the warranty. Care should be taken to protect the flooring from damage by using good quality protective feet for chairs, tables, and other furniture. Chair mats are required under chairs with casters/wheels.
9. Labor costs for installation of original or replacement material.
10. Problems caused by moisture, hydrostatic pressure, or alkali in the sub-floor.
11. Problems caused by uses, maintenance, and installation that are contrary to Ecore specifications, recommendations or instructions.
12. Installation of Ecore sound mats or LVT with adhesives other than those recommended by Ecore.
13. Installation of unapproved LVT flooring materials.

These warranties are in lieu of any other warranty expressed or implied. Ecore shall not be liable for any incidental or consequential damages which may result from a defect. Some states do not allow the exclusion or limitation of incidental or consequential damages, so the above limitation or exclusion may not apply to you. These warranties give you specific rights, and you may also have rights which may vary from state to state. To know what your legal rights are in your state, consult your local or state Consumer Affairs Office or your State Attorney General.



**877-258-0843 – [www.ecorecommercial.com](http://www.ecorecommercial.com)**

**Manufactured in the U.S.A by:**



© 2019 All designs and colors are copyrighted by Ecore